

ESLC

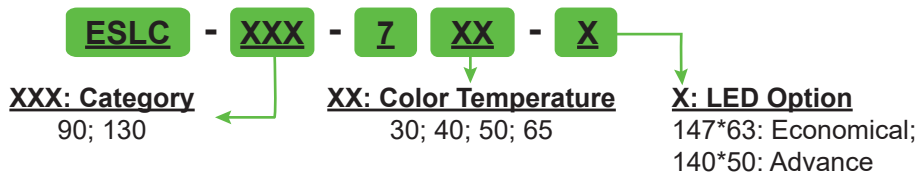
EMMA Street Light 2.0

Mid power Ecosparks Street Light offers high intensity LED streetlight solution which provide better performance according to the latest Road Standard. A uniform light distribution and superb efficiency of ECOSPARKS street light is suitable for all vehicular and pedestrian lighting applications. By using only high luminous efficacy LED and customized optics, we are committed to deliver high reliable and durable product. Unique streetlight housing that helps on excellent thermal management able to longer the product lifetime.

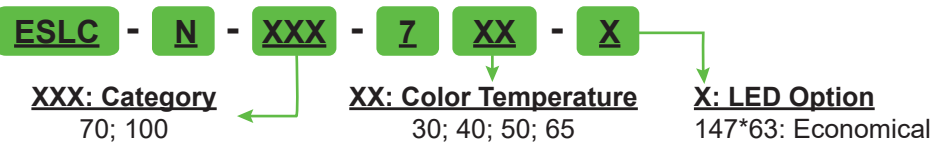
The Ecosparks Streetlight is ideal for retrofit and new street light installation. Affordable range of Ecosparks lighting solutions deliver high-quality light with significant energy savings and reduced maintenance issues. EMMA is suitable for Minor Road and Single Carriageway.



Technical Specification



ON / OFF							
Category	Model Code	CCT	Color Temperature	CRI	System Lumen	System Efficacy	Lens Type
90W Series	ESLC-XXX-7XX-X	3000K	Warm White	70	11000lm	≥120lm/W	II
		4000K	Cool White				
130W Series		5000K	Daylight				
		6500K	Cool Daylight				



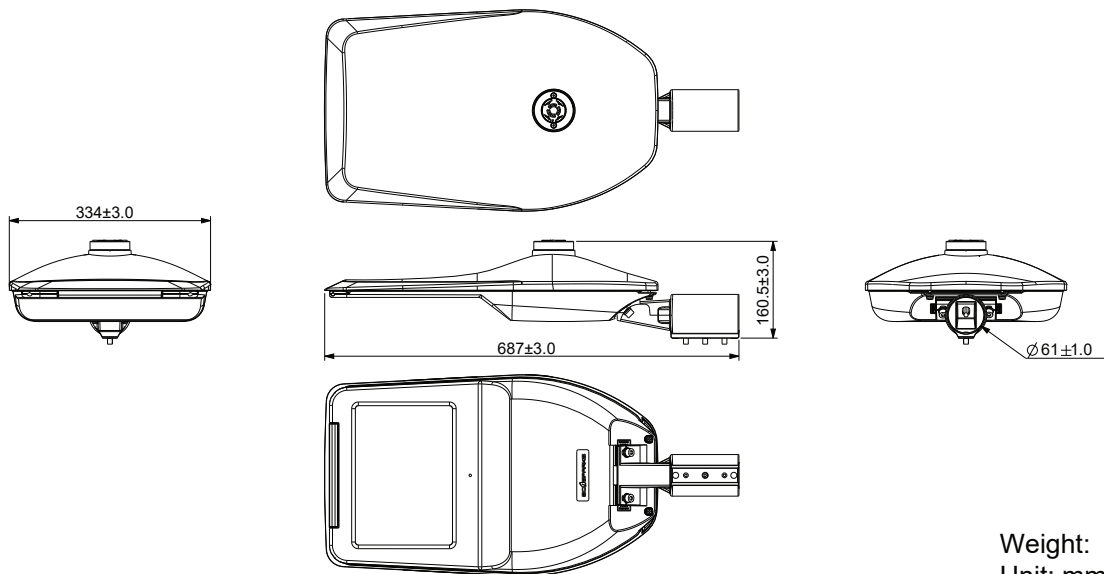
DIMMABLE							
Category	Model Code	CCT	Color Temperature	CRI	System Lumen	System Efficacy	Lens Type
70W Series	ESLC-N-XXX-7XX-X	3000K	Warm White	70	10000lm	≥135lm/W	II
		4000K	Cool White				
100W Series		5000K	Daylight				
		6500K	Cool Daylight				



*Nema 7pin added for dimmable version.

	ON / OFF		DIMMABLE	
Input Voltage	AC 220-240V			
Frequency Range	50Hz – 60Hz			
Power Factor	>0.95			
Modular	2	3	2	3
System Power	90W	130W	70W	100W
Lumen Output	11000 lm	16000 lm	10000 lm	15000 lm
System Efficacy	≥120lm/W		≥135lm/W	
Color Index (CRI)	> 70			
Light Distribution Curve	Bat-Wing			
LED Life Span	>50,000 Hours			
IP Rating	IP66			
Working Temperature	-20°C ~ 45°C			
Storage Temperature	-40°C ~ 80°C			
Tilt Angle Of Spigot	Post-stop or side entry: ±10 Degrees			

Dimension



Please Read

Operation Manual

This product is recommended to be used within the temperature range of -20°~ 45°C.

Power supply is installed together with the street light. REFER below for the electrical parameter.

Type	On- Off	Nema
Input Voltage	220VAC ~ 240VAC 50/60Hz	
Input Type	AC wire connector type : 3pin (L, N, G)	
System Power	90 & 130 Watts	70 & 100 Watts

Safety Precautions

1. Do not drop the product as it may cause damage to the lens and covering.
2. The lighting product must be installed by a qualified electrician. It is the responsibility of the installer, contractor, purchaser or user to install/handle this product in such a manner that comply with all local rules and regulations.
3. Any modification, abuse or misuse of the product is accordance to the installation manual and without out acknowledge is consider void of warranty.

Specifications subject to change without prior notice.

* Warranty based on assumption of 12 hours operation per daily usage.