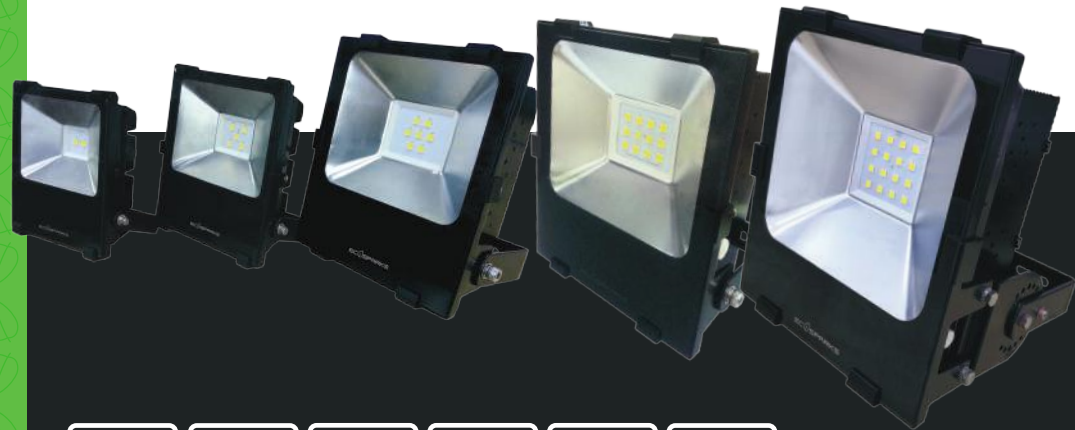
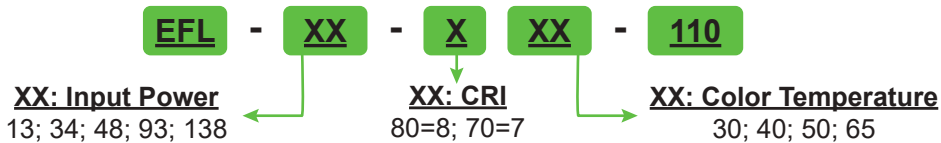


EFL Floodlight

Ecosparks flood light provide perfect solution for industrial application which ideally fit under normal and cold storage environment by selecting high performance LED, outstanding quality fitting & adjustable bracket. This product is meeting IP65 & IK08 standard which suitable for outdoor use too. We committed to offer a reliable and high performance solution with an exceptional thermal management and good uniform light distribution.



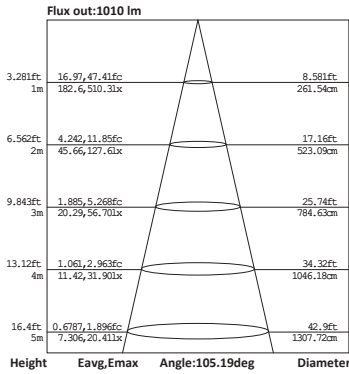
Technical Specification



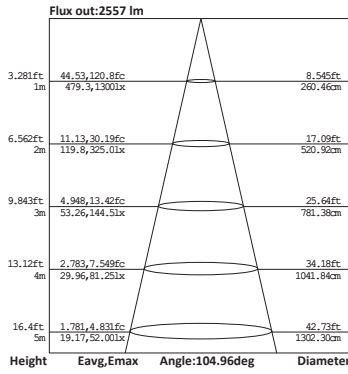
ON / OFF							
Input Power	Model Code	CCT	Color Temperature	CRI	System Lumen	System Efficacy	Beam Angle
13 Watts	EFL-13-8XX-110	3000K	Warm White	80	>1100lm	>90lm/W	110°
	EFL-13-7XX-110	4000K 5000K 6500K	Cool White Daylight Cool Daylight	70			
34 Watts	EFL-34-8XX-110	3000K	Warm White	80	>2700lm	>92lm/W	
	EFL-34-7XX-110	4000K 5000K 6500K	Cool White Daylight Cool Daylight	70			
53 Watts	EFL-48-8XX-110	3000K	Warm White	80	4500lm	>99lm/W	
	EFL-48-7XX-110	4000K 5000K 6500K	Cool White Daylight Cool Daylight	70	6000lm	>93lm/W	
93 Watts	EFL-93-8XX-110	3000K	Warm White	80	8650m	>89lm/W	
	EFL-53-7XX-110	4000K 5000K 6500K	Cool White Daylight Cool Daylight	70	9600lm	>98lm/W	
138 Watts	EFL-138-8XX-110	3000K	Warm White	80	12377lm	>86lm/W	
	EFL-138-7XX-110	4000K 5000K 6500K	Cool White Daylight Cool Daylight	70	13000lm	>105lm/W	

AAI Curve

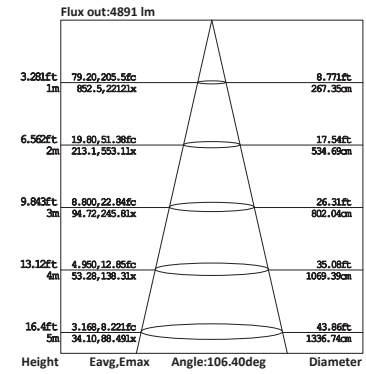
EFL-13



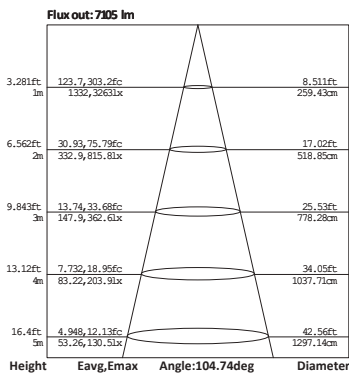
EFL-34



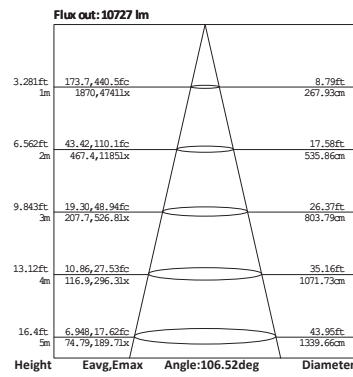
EFL-48



EFL-93

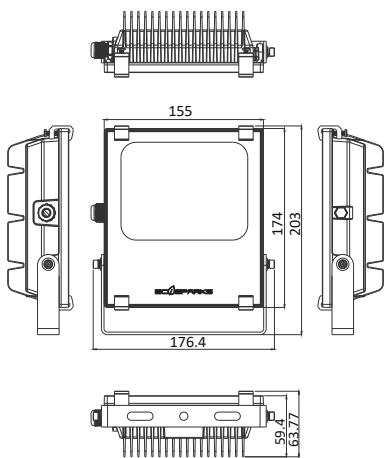


EFL-138



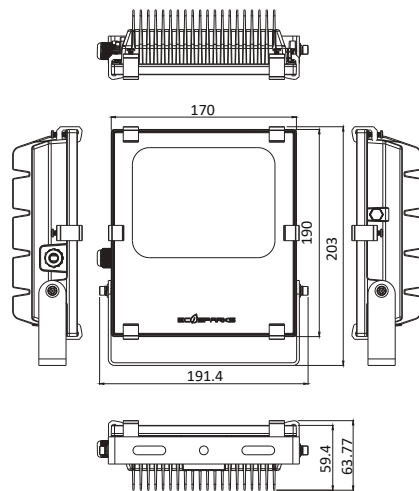
Dimension

EFL-13



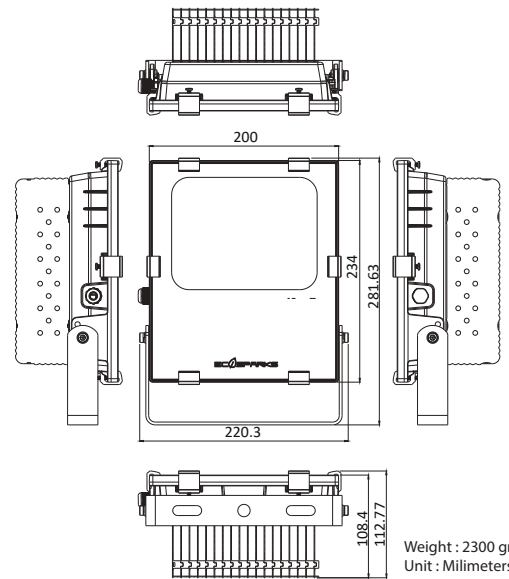
Weight : 1140 gram
Unit : Millimeters

EFL-34



Weight : 1400 gram
Unit : Millimeters

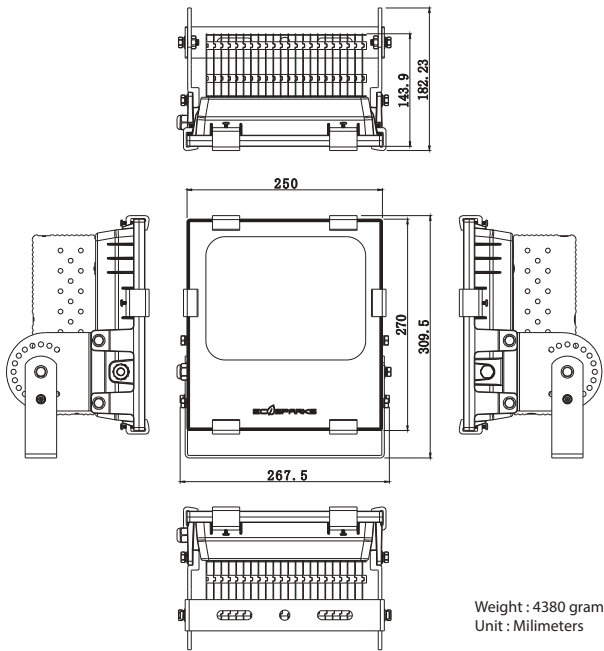
EFL-48



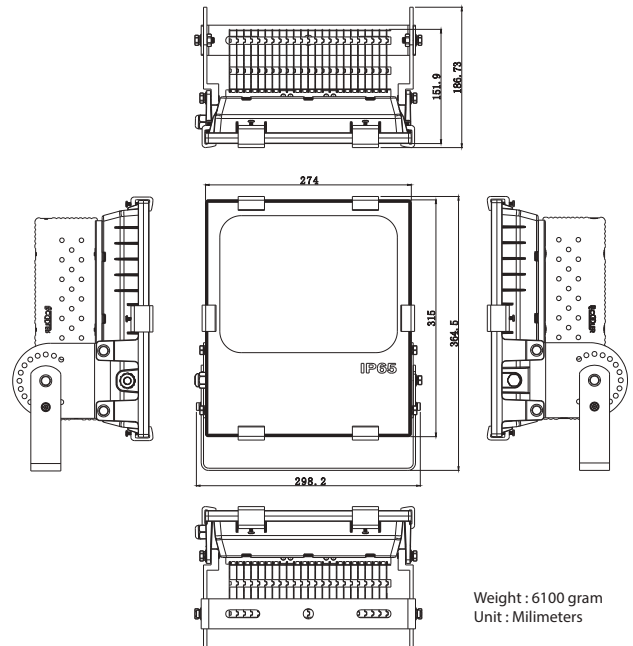
Weight : 2300 gram
Unit : Millimeters

Dimension

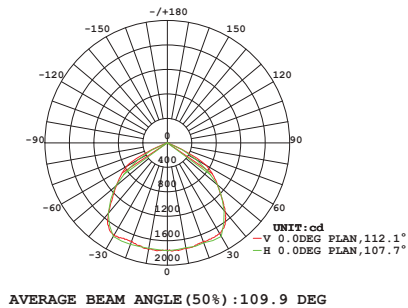
EFL-93



EFL-138



Luminous Intensity Distribution Curve



Please Read

Operation Manual

This product is recommended to be used within the temperature range of -30~45°C. REFER below for the electrical parameter.

Input Voltage	220VAC ~ 240VAC 50/60Hz
Input Type	AC wire connector type : 3pin (L, N, G)
System Power	13 Watts, 34 Watts, 53 Watts, 93 Watts, 138 Watts

This product is Non-dimmable.

Safety Precautions

1. Do not drop the product as it may cause damage to the lens and covering.
2. The lighting product must be installed by a qualified electrician. It is the responsibility of the installer, contractor, purchaser or user to install/handle this product in such a manner that comply with all local rules and regulations.

Specifications subject to change without prior notice.